



## WINCH REPAIRS AT THE PANAMA CANAL

### 90 TON CRANE BARGE

L: 85.73 M / 290' 1"

B: 15.47 M / 50' 1"

D: 6.40 M / 20' 2"

GRT: 2,232 T

Rebuilt: 2011

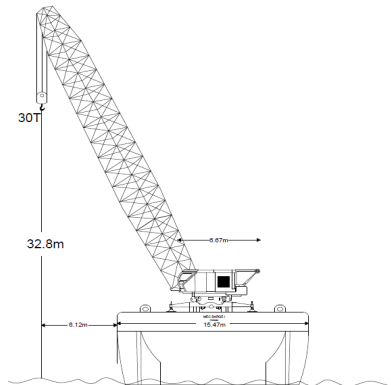
Deck Capacity: 1,000 Tons

Number of Tanks: 14

Generators: 250 Kw

Accommodations: 14 People

Crane: 90 Ton P&H - 90 Ft Boom



### WE OFFER THE LARGEST CAPACITY AT THE PANAMA CANAL :

- 12,000 sqm of fully equipped workshops, with three (3) 45 Ton Overhead Cranes.
- Skillfull Machinist Technicians with 1,200 vessels atended since 1973.
- CNC Roller and Cutting Machines.
- Fully Equiped Welding workshop Facility.

### RATES

#### MOBILIZATION

**US 4,500.00**

INNER ANCHORAGE

#### BARGE AND TUG BOAT

RENTAL 1 DAY

**US 12,500.00**

PER DAY

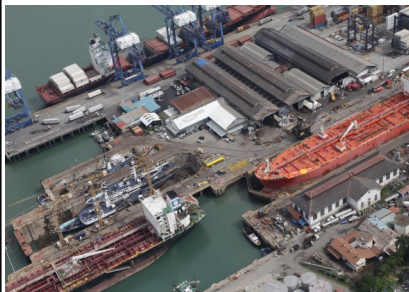
#### RENTAL 1 WEEK

**US 10,500.00**

PER DAY

(fuel not included)

### FULLY EQUIPED SHIPYARD WITH 12,000 M2 MACHINERY WORKSHOPS WITH (3) / 45 TON OVERHEAD CRANES



### CONTACT US:

**T: +(507) 314-0179; M: +(507) 6674-7992, 6675-7078; F: +(507) 314-0180**

**sales@mecpanama.com**